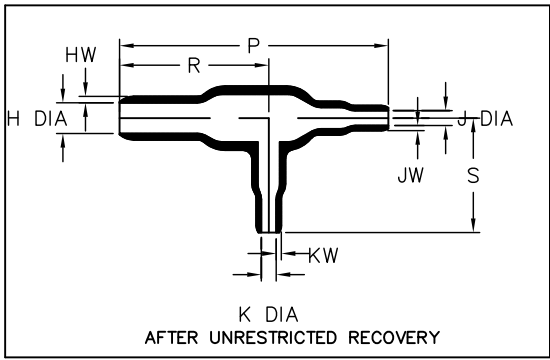
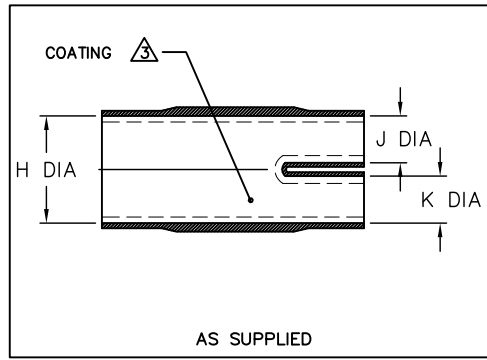


NOTES

- All dimensions are in $\frac{\text{inches}}{\text{millimeters}}$, $\frac{\text{lbs}}{\text{gms}}$
- Dimensions appearing in table are as follows:
a - As Supplied
b - After Unrestricted Recovery
- Coating is optional. As supplied dimensions appearing in table are for uncoated parts. When coating is added, entry diameters will be reduced by .06 max.



REVISIONS		
LTR	DESCRIPTION	DATE
B	REVISED PER ECO-14-014522	9/11/2014

ORDERING INFORMATION

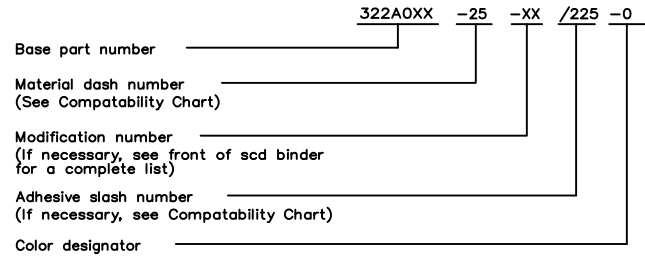


TABLE OF DIMENSIONS

PART NUMBER	H		J & K		P	R	S	T	U	HW	JW & KW
	Min	Max	Min	Max	±10%	±10%	±10%	±10%	±10%	±20%	±20%
	a	b	a	b	b	b	b	b	b	b	b
322A012-25/225	.52 [13,2]	.29 [7,4]	.26 [6,6]	.15 [3,8]	2.20 [55,9]	1.30 [33,0]	.76 [19,3]	1.57 [39,9]	.85 [21,6]	.06 [1,02]	.04 [1,02]
322A024-25/225	1.06 [26,9]	.52 [13,2]	.52 [13,2]	.26 [6,6]	3.82 [97,0]	2.12 [53,8]	1.52 [38,6]	2.59 [65,8]	1.43 [36,3]	.10 [2,54]	.06 [1,52]
322A037-25/225	2.19 [55,6]	1.07 [27,2]	1.06 [26,9]	.52 [13,2]	7.80 [198,1]	4.38 [111,3]	3.06 [77,7]	5.14 [130,6]	2.91 [73,9]	.18 [4,57]	.10 [2,54]

If this document is printed it becomes uncontrolled. Check for the latest revision

COMPATABILITY CHART

MATERIAL DASH NO.	MATERIAL DESCRIPTION	RT SPEC	COATING SLASH NO.	COATING S NO.	COATING DESCRIPTION
-25	Elastomer, Fluid Resistant	RW-2070	/225	S-1206	Adhesive

Raychem Molded parts
CUSTOMER DRAWING



UNLESS OTHERWISE SPECIFIED DIMENSIONS ARE INCHES. METRIC DIMENSIONS ARE IN BRACKETS. DECIMAL TOLERANCES XXX ± 0.005 (0.13 mm) XX ± 0.01 (0.25 mm) X ± 0.1 (2.54 mm) ANGLE TOLERANCE X ± 1 DEG.	DRAWN M.MAZARIEGOS	TITLE Transition, 90° Side Breakout
	APPROVED S.GRAVANO	
THIRD ANGLE PROJECTION	SIZE B	CODE IDENT. NO. 06090
TYCO ELECTRONICS RESERVES THE RIGHT TO AMEND THIS DRAWING AT ANY TIME. USERS SHOULD EVALUATE THE SUITABILITY OF THE PRODUCT FOR THEIR APPLICATION.	DWG. NO. 322A012 thru 037-25/225	DO NOT SCALE THIS DRAWING
© 2014 Tyco Electronics Corporation. All rights reserved.	SHEET 1 OF 1	